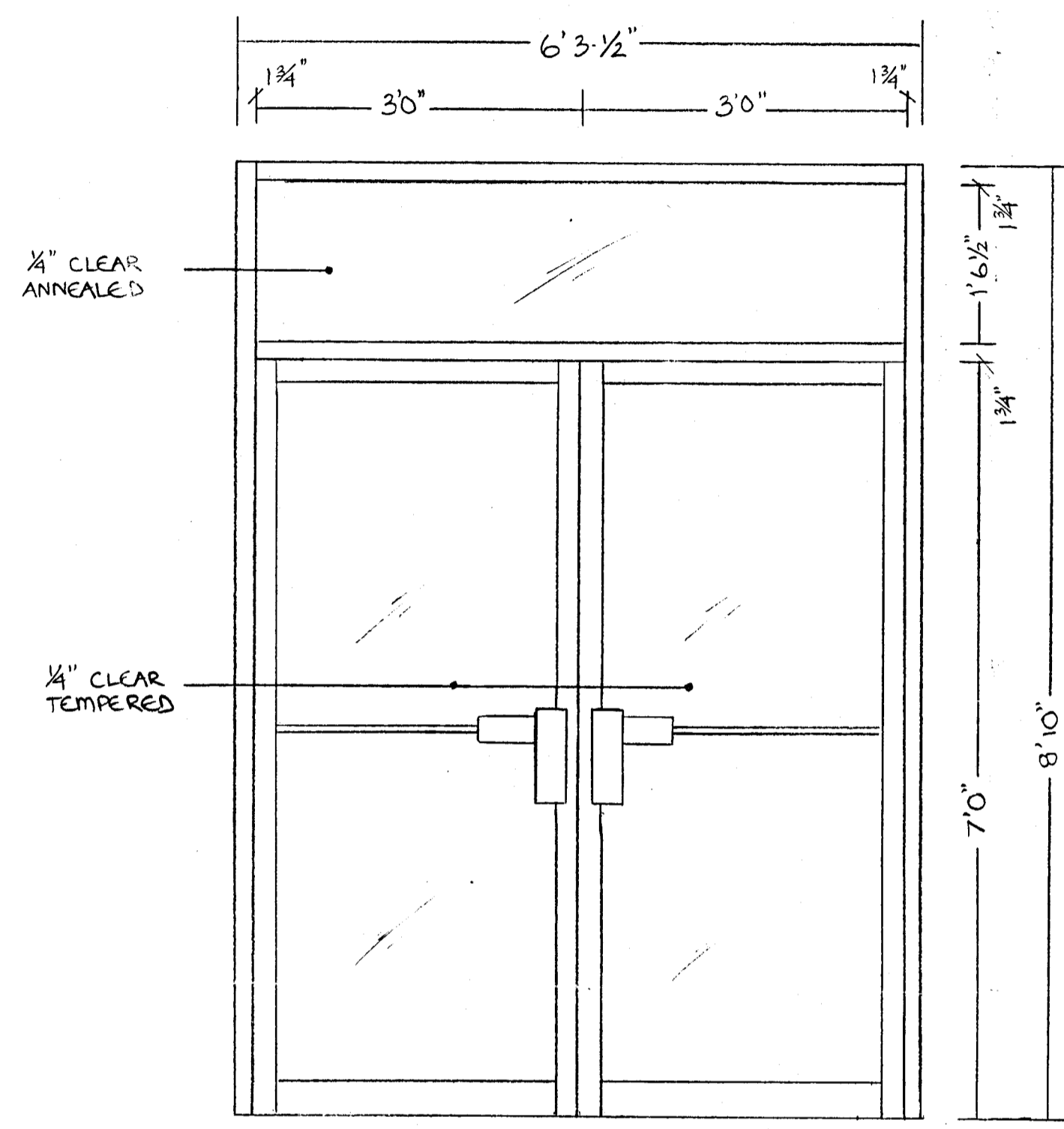
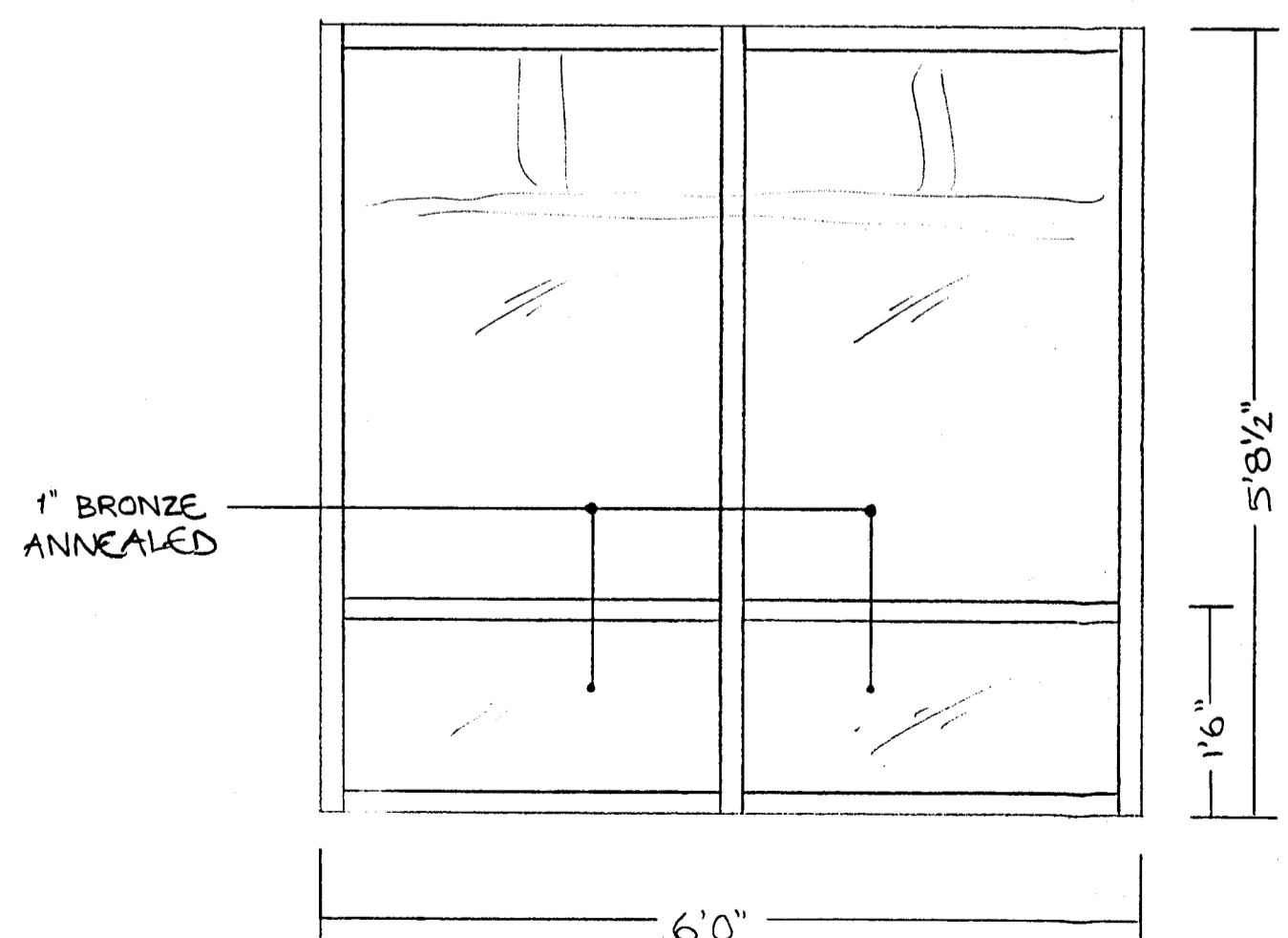


(1 THUS)  
- EXTERIOR  
- OFFSET PIVOTS, SURFACE CLOSERS, AND PANICS  
- METAL WILL BE DARK BRONZE IN FINISH  
- THRESHOLD, AND WEATHERSTRIPS.



(1 THUS)  
- INTERIOR  
- VESTIBULE PACKAGE (NO LOCKS OR THRESHOLD)  
- OFFSET PIVOTS, SURFACE CLOSERS  
- METAL WILL BE DARK BRONZE IN FINISH



(12 THUS)  
- TIME SERIES TML-200 HC80 THERMAL WINDOWS.  
- WITH DARK BRONZE ANODIZED FINISH

GENERAL NOTES  
1) Do not order glass or glazing materials except from the final erection drawings.  
2) Kawneer Company will assume no responsibility for errors resulting from the use of these drawings by other trades.  
3) These drawings have been prepared in accordance with Kawneer Company's quotation or per an accepted purchase order and other applicable contract documents.  
4) Final approval by the dealer constitutes acceptance of all deviations to the contract documents made by Kawneer in these drawings.  
5) Laws and building safety codes governing the design and use of glazing entrance, window and curtainwall products vary widely. Kawneer does not control the selection of product configurations, operating hardware or glazing materials and assumes no responsibility thereof.  
6) These drawings represent Kawneer's interpretation of the application of Kawneer products to this project in functional compliance with the architect's drawings and specifications. It is important that this interpretation be reviewed dimensionally and functionally with respect to actual architect intent, interfacing conditions, materials, and job site conditions.  
7) These drawings should be used in conjunction with Kawneer's published installation instructions.  
8) All blocking, shimming, and perimeter caulking is not by Kawneer, unless otherwise noted.  
9) All items marked thus, "N.B.K." are not in Kawneer's contract, and are shown for information only.  
10) All glass and glazing are not by Kawneer. Glass to have thickness as noted on the elevations and glazing details.  
11) Request for revision after Kawneer Company has been authorized to fabricate will be subject to a handling charge plus the cost of any fabricated materials.  
12) A bimolecular patina-free chrome or equal separation material is required when aluminum comes in contact with steel or other dissimilar materials.

SEALANT NOTES  
1) Kawneer does not control the selection of sealants or caulking, and assumes no responsibility thereof. It is the responsibility of the architect, the installer and the sealant manufacturer to make these selections based on the conditions shown on these shop drawings.  
2) All sealants and caulking shown on these drawings are not by Kawneer, unless otherwise noted on these shop drawings or installation instructions.  
3) All recommended heel beads, toe beads, and cap beads shown in these shop drawings should be applied and bedded watertight per the sealant or caulking manufacturer's recommendations as to size and compatibility with adjacent materials.  
4) All gaskets are to be thoroughly sealed and made watertight at butt joints and intersections using a shimming non-hardening sealant as recommended by sealant manufacturer.  
5) All metal to metal butt joints, overlaps and intersections are to be sealed watertight.  
6) All perimeter caulking is to be applied and bedded per manufacturer's recommendations.

SCALE 3/4" = 1'-0"		DATE	DATE	DATE
NO.	REVISION	BY	DATE	APPROVED
DEALER APPROVAL RELEASE FOR FABRICATION AS DETAILED OR WITH CHANGES AS NOTED		PRINTS ISSUED FOR		
DEALER THE GLASS SHOP, INC. BY DON TOWNSEND TITLE PRESIDENT		CHK	DATE	DATE
ARCHITECT PROJECT NAME GRUNDY CO. SHERIFF'S DEPARTMENT		DRW.	DATE	DATE
ORDER:		DRW.	DATE	DATE
DRWG: 1 OF 1		DRW.	DATE	DATE

**Kawneer**  
KAWNEER COMPANY INC.

**TRIFAB® 450 & 190 DOORS**

LITHO IN U.S.A. SEPTEMBER © KAWNEER COMPANY, INC., 1995 FORM NO. 777-919A